

## TANK SIDE STICKER

Accessory Name	Parts Number	Application Model	Issue Date	Publication No.	FRT
TANK SIDE STICKER	08F71-MLN-EQ0	CRF1100A4/D4/AL4/ DL4	2023.8	MII	0.2 H

### Introduction

ALL INFORMATION, ILLUSTRATIONS, DIRECTIONS AND SPECIFICATIONS INCLUDED IN THIS PUBLICATION ARE BASED ON THE LATEST PRODUCT INFORMATION AVAILABLE AT THE TIME OF APPROVAL FOR PRINTING. Honda Motor Co., Ltd. RESERVES THE RIGHT TO MAKE CHANGES AT ANY TIME WITHOUT NOTICE AND WITHOUT INCURRING ANY OBLIGATION WHATSOEVER. NO PART OF THIS PUBLICATION MAY BE REPRODUCED WITHOUT WRITTEN PERMISSION. THIS MANUAL IS WRITTEN FOR PERSONS WHO HAVE ACQUIRED BASIC KNOWLEDGE OF MAINTENANCE ON Honda MOTORCYCLES, MOTOR SCOOTERS OR ATVS.

Honda Dealer:







Please give a copy of these instructions to your customer.

Customer:

Because it requires specialized knowledge and special tools and equipment, it is recommended to install it at a dealer with qualified automobile maintenance.

### How To Read These Symbols

Your safety, and the safety of others, is very important. To help you make informed decisions we have provided safety messages and other information throughout this manual.

-  **WARNING** You CAN be KILLED or SERIOUSLY HURT if you don't follow instructions.
-  **CAUTION** You CAN be HURT if you don't follow instructions.
-  **NOTICE** The purpose of this message is to help prevent damage to your vehicle, other property, or the environment.
-  **NOTE** Things you want to know, things that are useful to know.
-  Follow the instructions of the Service Manual.
-  Follow the other symbol instructions of the "Installation Instructions BASIC".

### Instruction Other Symbols

The symbols used throughout this instructions show specific service procedures. Refer to "Installation Instructions BASIC" for description of each symbol.

## INFORMATION

### CAUTION

- To prevent burns, allow the engine, exhaust system, radiator, etc., to cool before installing the accessory.


### NOTICE

- Take care not to damage the painted surfaces of the motorcycle.

### NOTE:

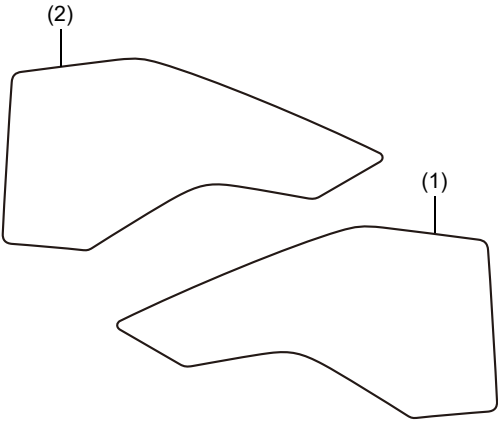
- Heat the bonding surfaces with a hair dryer if the ambient air temperature is below 21°C (70°F).
- Take care not to touch the adhesive side.
- The adhesive reaches full strength in 72 hours. Wait at least 24 hours before riding your motorcycle.
- Save all removed parts unless otherwise indicated.

## TORQUE INFORMATION

Refer to the Service Manual for the torque values including standard torque of the removed parts. ()

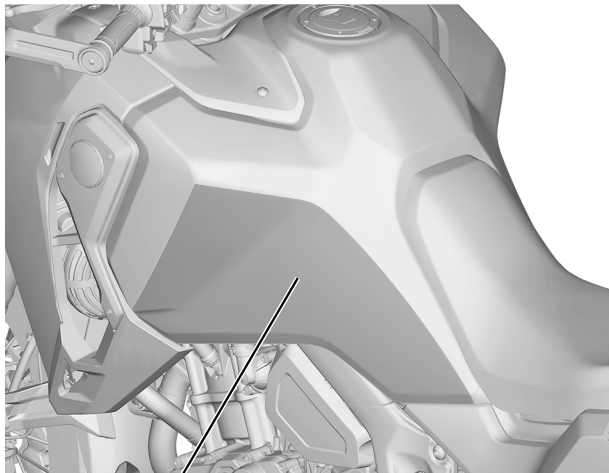
## PARTS LIST

When the instruction manual and installation instructions are included in this kit, be sure to give them to the customer.

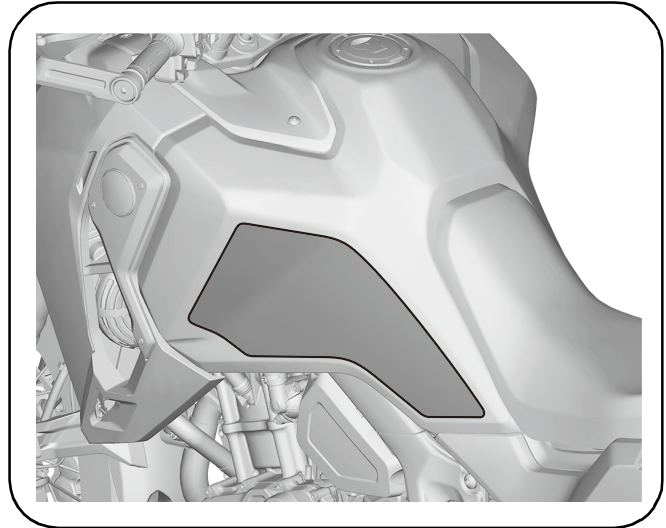
Component	No.	Parts Name	Qty	Parts No.
	(1)	Right tank side sticker	1	-
	(2)	Left tank side sticker	1	-

## INSTALLATION

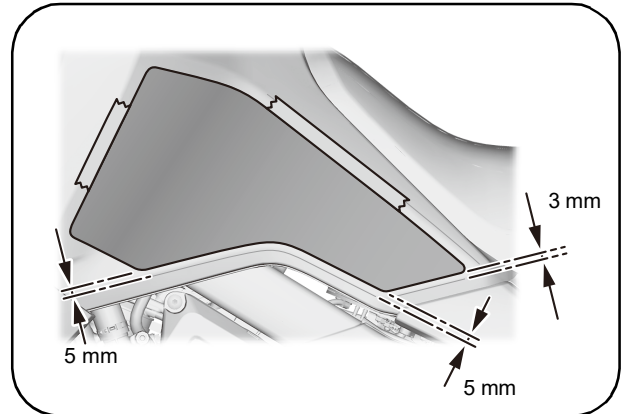
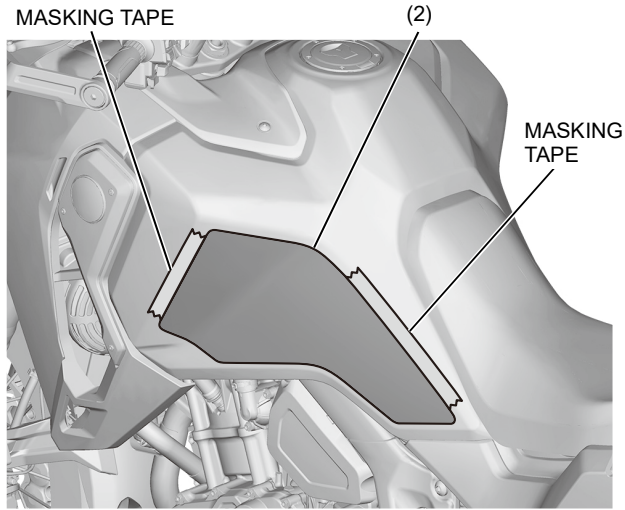
1. Clean the surface of the area shown.



INSTALLATION IMAGE

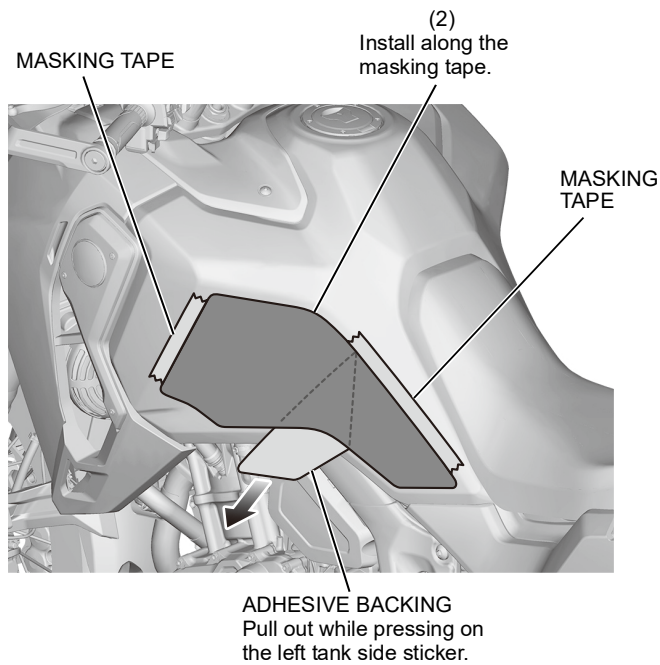


2. Mark with masking tape as shown.



3. Install as shown.

- Install from the rear of the tank side sticker.
- Use a squeegee or equivalent to prevent air bubbles from entering.



4. Remove the masking tape and apply adequate pressure to the attached left tank side sticker.

5. Install the right tank side sticker in the same manner as the left side.